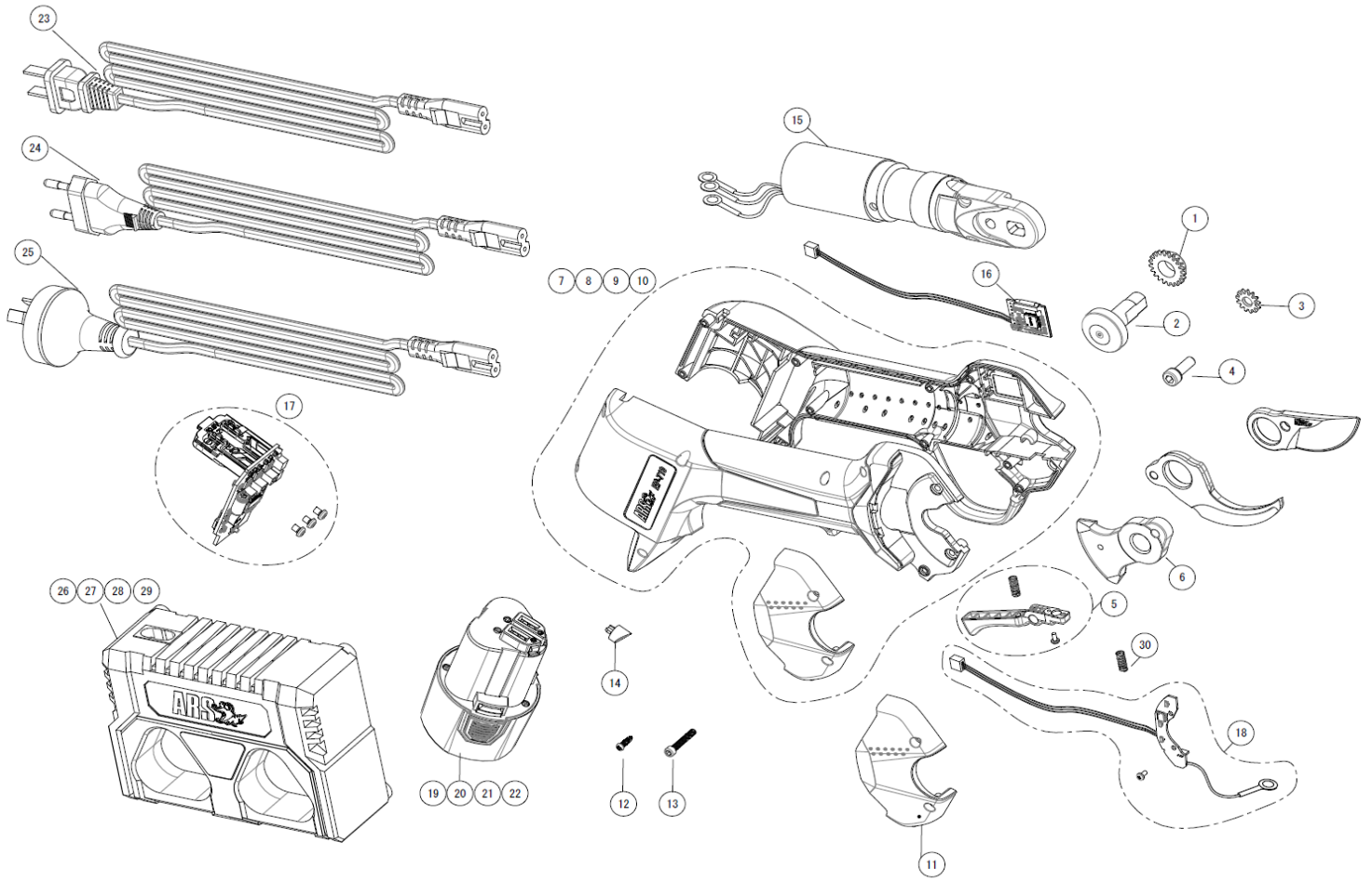


EP-719



PARTS NO.	SPECIFICATION	PARTS NO.	SPECIFICATION
①	SP-EP-099 CENTER NUT FOR THE BLADES	⑲	SP-EP-113 LITHIUM ION BATTERY W/ ENGLISH WARNING LABEL
②	SP-EP-100 CENTER BOLT FOR THE BLADES	⑳	SP-EP-114 LITHIUM ION BATTERY W/ PORTUGUESE WARNING LABEL
③	SP-EP-049 NUT RETAINER	㉑	SP-EP-115 LITHIUM ION BATTERY W/ SPANISH WARNING LABEL
④	SP-EP-082 BOLT FOR NUT RETAINER	㉒	SP-EP-116 LITHIUM ION BATTERY W/ KOREAN WARNING LABEL
⑤	SP-EP-101 TRIGGER SET W/ 2BOLTS & SPRING	㉓	SP-EP-117 CHARGING CABLE W/ TYPE-A PLUG
⑥	SP-EP-102 GEAR PLATE FOR UPPER BLADE	㉔	SP-EP-118 CHARGING CABLE W/ TYPE-C PLUG
⑦	SP-EP-103 PRUNER BODY W/ ENGLISH WARNING LABEL	㉕	SP-EP-119 CHARGING CABLE W/ TYPE-O PLUG
⑧	SP-EP-104 PRUNER BODY W/ PORTUGUESE WARNING LABEL	㉖	SP-EP-120 CHARGING STATION W/ ENGLISH WARNING LABEL
⑨	SP-EP-105 PRUNER BODY W/ SPANISH WARNING LABEL	㉗	SP-EP-121 CHARGING STATION W/ PORTUGUESE WARNING LABEL
⑩	SP-EP-106 PRUNER BODY W/ KOREAN WARNING LABEL	㉘	SP-EP-122 CHARGING STATION W/ SPANISH WARNING LABEL
⑪	SP-EP-107 FRONT COVER FOR UPPER BODY	㉙	SP-EP-123 CHARGING STATION W/ KOREAN WARNING LABEL
⑫	SP-EP-058 "A" SCREW FOR PRUNER BODY (1PC)	⑳	SP-EP-078 SPRING ONLY FOR TRIGGER
⑬	SP-EP-060 BOLT FOR FRONT COVER FOR PRUNER BODY (1PC)		
⑭	SP-EP-108 SWITCH BUTTON		
⑮	SP-EP-109 INTERNAL MOTOR GEAR ASSEMBLY		
⑯	SP-EP-110 LCD BOARD SET		
⑰	SP-EP-111 CONTROL BOARD SET w/ 3 BOLTS		
⑱	SP-EP-112 SENSOR BOARD SET w/ 1 BOLT		